

ZKP



ZCS1-3



*METTEM® latches are characterized by high durability.*

*METTEM® latches are made of high-quality steel which provides their reliability and long service life.*

*METTEM® latches are good for doors in utility rooms (store rooms, basements etc.)*

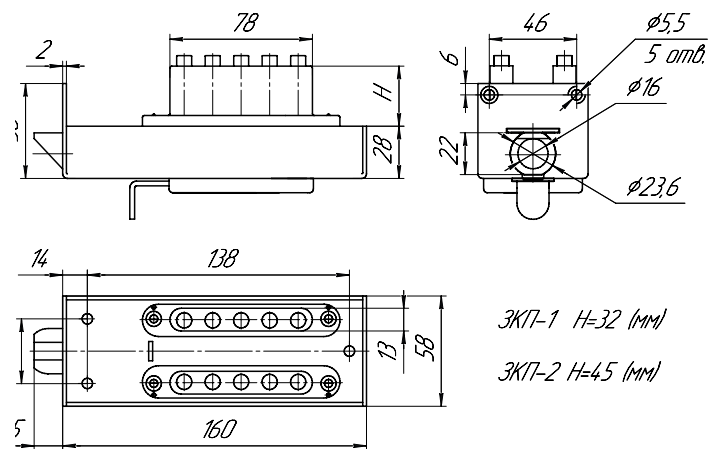
*METTEM® coded latches can be used to lock access doors, cottage gates.*

*Number of combinations in the coded latches is more than 1000.*

*METTEM® coded latches are handy, because they don't require a key.*

## ZKP-2

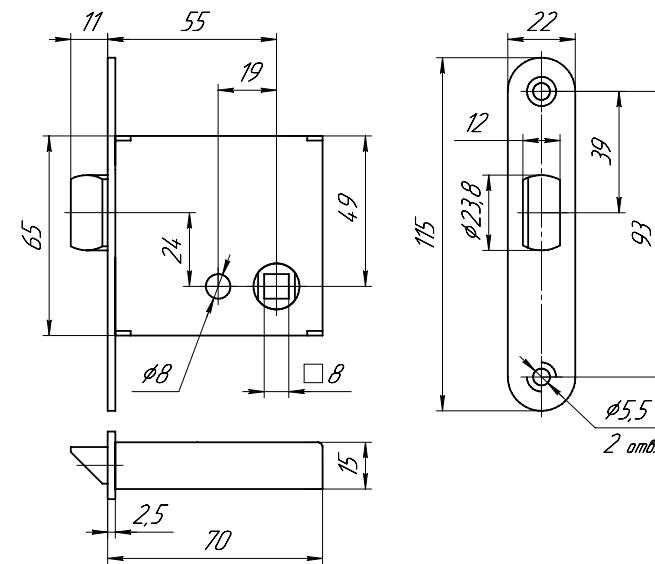
This latch can be recoded.  
Number of combinations is more than 1000.



Model	Number of keys	Package quantity	Package gross weight	1 piece gross weight	Basic kit	Details on demand
ZKP-2	-	10 pcs.	14,25 kg	1,4 kg	lock, set of plates, opposite plank, manual, wrapping	-

## ZCS1-3

Made of steel.



Model	Number of keys	Package quantity	Package gross weight	1 piece gross weight	Basic kit	Details on demand
ZCS1-3	-	40 psc.	12,35 kg	0,3 kg	latch, opposite plank, manual, wrapping	-