

mortise locks



rim locks



details



METTEM® electromechanical locks correspond to the highest governmental standards of Russia.

The locks are invisible in the door, which makes it much more difficult to break the lock by means of picklocks, drilling etc.

The locks are operated with the remote control by radio-keys or a cell phone.

The duration of the lock's self-sufficient operation poweroff is not less than six days

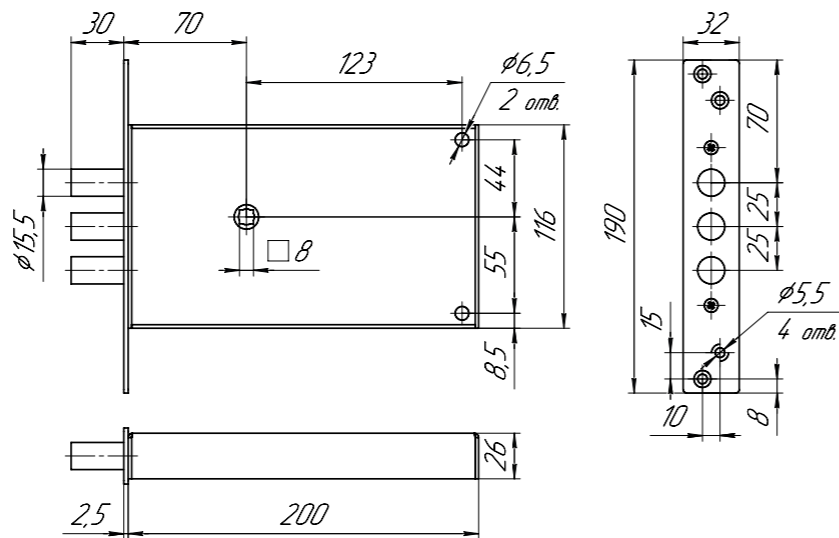
(at room temperature and average daily operation not more than eight times when only one lock is connected to the control unit).

One can connect up to five phone numbers to the control unit with the GSM-module.

The control unit with the GSM-module is supplied with an extra relay which makes it possible to connect an external security alarm to the lock.

ZV EM 01.01

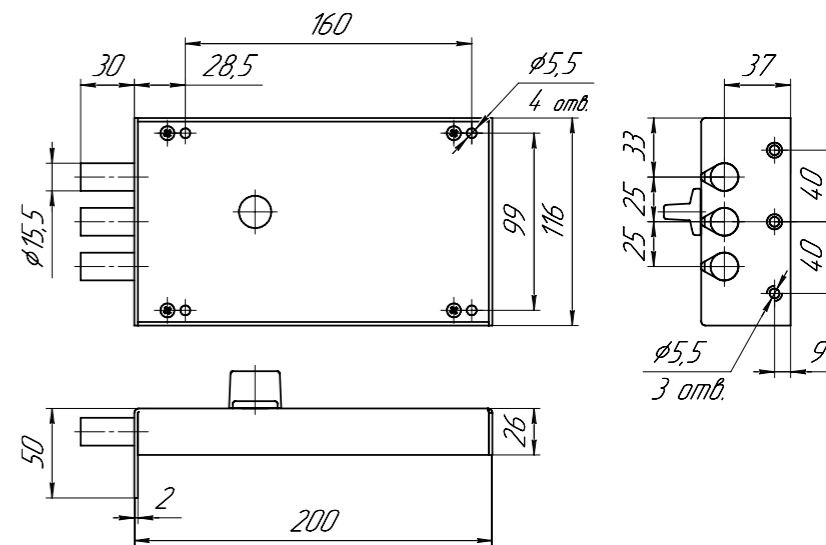
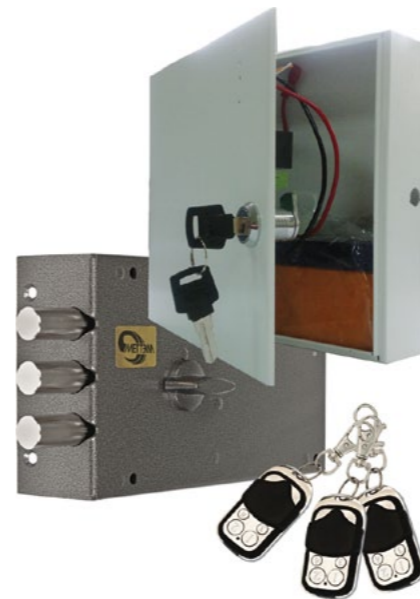
Mortise invisible lock.
The lock's body is protected with an armoured plate 2 mm thick.



Model	Number of keys	Lock weight	Control unit weight	Package gross weight	Basic kit
ZV EM 01.01	3 pcs.	1,5 kg	2,4 kg	5,5 kg	lock, control unit, radio-keys (3 pcs.), fittings, opposite plank, rotary handle, manual, package

ZN EM 01.01

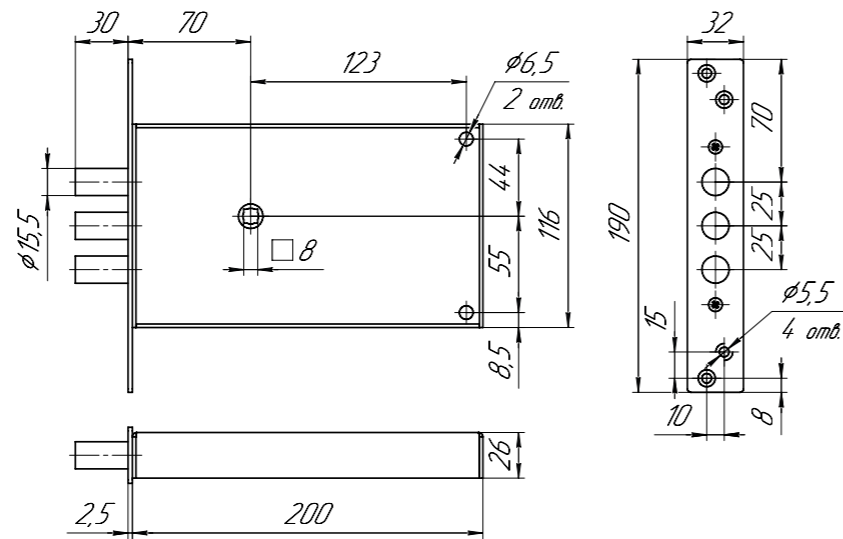
Rim invisible lock.
The lock's body is protected with an armoured plate 2 mm thick.



Model	Number of keys	Lock weight	Control unit weight	Package gross weight	Basic kit
ZN EM 01.01	3 pcs.	1,5 kg	2,4 kg	5,5 kg	lock, control unit, radio-keys (3 pcs.), fittings, manual, package

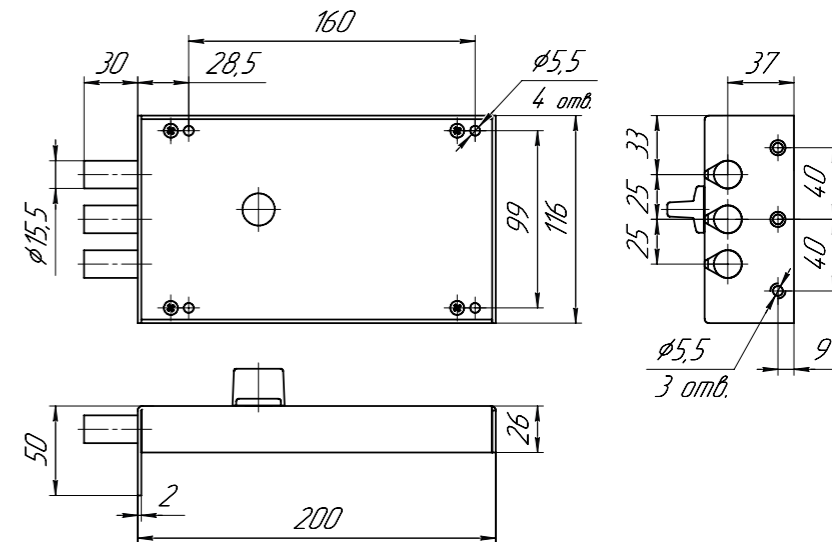
ZV EM 01.02

Mortise invisible lock with GSM-module.
The lock's body is protected with an armoured plate 2 mm thick.



ZN EM 01.02

Rim invisible lock with GSM-module.
The lock's body is protected with an armoured plate 2 mm thick.



Model	Number of keys	Lock weight	Control unit weight	Package gross weight	Basic kit
ZV EM 01.02	3 pcs.	1,5 kg	2,4 kg	5,5 kg	lock, control unit with GSM-module, accumulator, radio-keys (3 pcs.), external GSM-antenna, PC-cable, fittings, rotary handle, opposite plank, manual, package

Model	Number of keys	Lock weight	Control unit weight	Package gross weight	Basic kit
ZN EM 01.02	3 pcs.	1,5 kg	2,4 kg	5,5 kg	lock, control unit with GSM-module, accumulator, radio-keys (3 pcs.), external GSM-antenna, PC-cable, fittings, rotary handle, manual, package

GSM-module

Multifunctional GSM-module plate for control unit.



With a GSM-module plate an electronic lock becomes a real access control system coupled with a security alarm.

GSM-module plate can be installed uniquely in control units of METTEM® electronic locks date of production not earlier than octobre 2014.

GSM-module plate cannot be used with electronic locks of other manufacturers.

Model	Purpose	Basic kit
mGsm v1.1.1	multifunctional GSM-module plate for control units of METTEM® electronic locks (ZV EM 01.01/ZN EM 01.01)	GSM-module plate, fittings, GSM-antenna, PC-cable, sensor of door position, manual